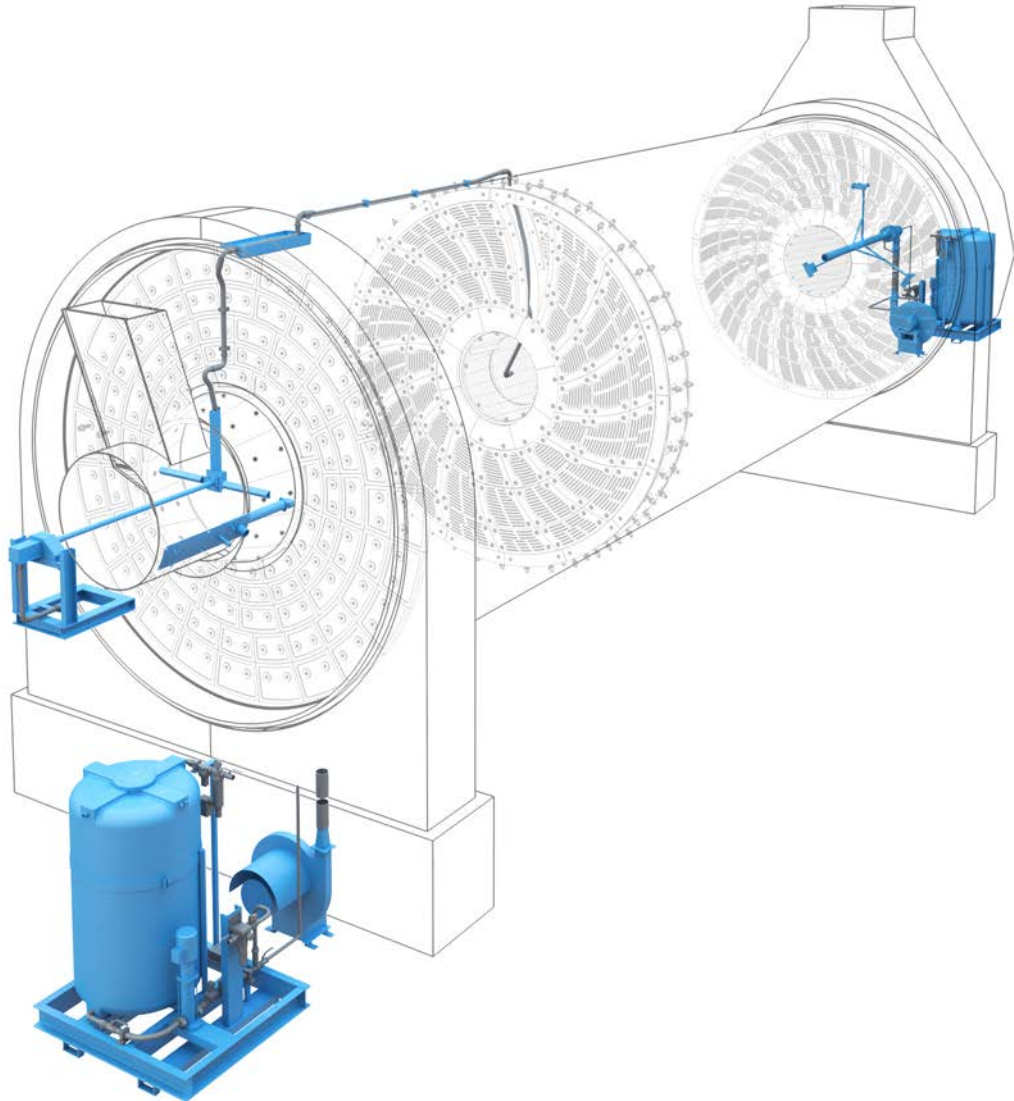


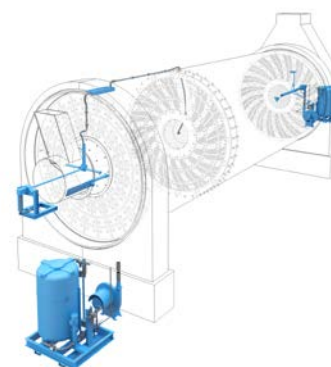
Water injection systems

Control the temperature during grinding



**CHRISTIAN
PFEIFFER**

Water injection systems



Grinding material inside a ball mill converts a high percentage of the required electrical power for cascading the ball charge into grinding heat which can cause problems with the material properties or further processing. A water injection system is the easiest and most effective way to control the temperature during grinding in the mill by evaporating the water.

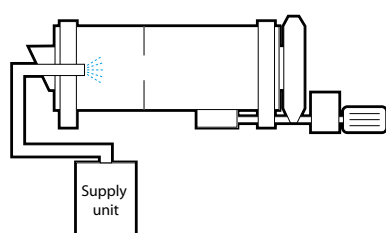
Technical details

Christian Pfeiffer provides three versions of water injection systems:

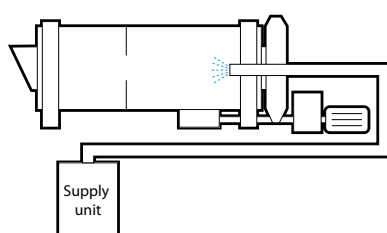
- Injection into the 1st chamber via inlet (Version Coal, Version Cement)
- Injection into the 2nd chamber via outlet
- Injection into the 2nd chamber via intermediate diaphragm

The injection of water in the 2nd chamber allows to control mill outlet material temperature. The injection of water in the 1st chamber allows to cool the feed material. We offer a solution for every type of mill. Water injection systems from Christian Pfeiffer can be used for mills with trunnion or slide shoe bearings.

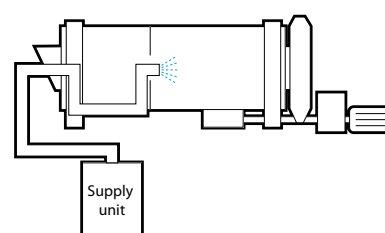
3 types of water injection systems



first chamber
(via inlet)



second chamber
(via outlet)



second chamber
(via intermediate diaphragm)